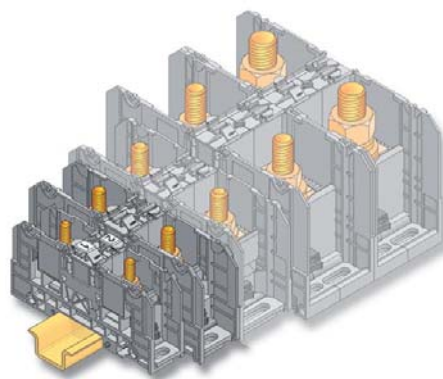


Power terminal blocks



Power terminal blocks

Type I



DIN 1 - DIN 3

DIN mounted power blocks offer the flexibility and safety associated with other Entelec blocks:

- with 1 stud
- with 2 studs
- with 1 stud- 1 wire clamp
- with 2 wire clamps

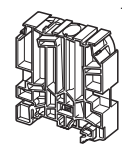
The use of some accessories may decrease the block's voltage rating. For more information, consult us.

| | | | | |
|------|--|---------------|--------------|--------------------|
| Rail | | 32 x 15 | PR1Z2 | 0163 050.04 |
| Rail | | 35 x 7,5 x 1 | PR3 | 0164 800.03 |
| Rail | | 35 x 15 x 2,3 | PR4 | 0168 500.12 |
| Rail | | 35 x 15 x 1,5 | PR5 | 0168 700.22 |

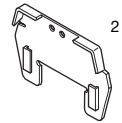
Other rails: See Accessories section

Notes

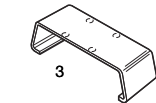
Accessories



1 End stop
(other end stops: see accessories)



2 Partition for cover



3 Protective cover
(marked cut)



4 Protective cover



R See section on markers
Marking method

M 35/26.F

Spacing 26 mm (1.02")

1 stud M6

M 70/31.F

Spacing 31 mm (1.22")

1 stud M8



| Color | Type | Part number |
|-------|------------------|--------------------|
| Grey | M 35/26.F | 0115 141.10 |

| Color | Type | Part number |
|-------|------------------|--------------------|
| Grey | M 70/31.F | 0115 144.13 |

Characteristics

| Wire size | Wire size | | | |
|----------------------|------------------------|----------------------|-----------------------|------------|
| | DIN | NFC | UL | CSA |
| Lug | 2,5-50 mm ² | 4-35 mm ² | 10-2 AWG | 4 AWG max. |
| Bar | 16 x 4 mm .63" x .16" | | | |
| Wire-clamp | 20 x 5 mm .78" x .20" | | | |
| Voltage | Voltage | | Voltage | |
| | IEC | IEC | IEC | IEC |
| V~ Without partition | 1000 | 1000 | 600 | 600 |
| V~ With partition | 1000 | 1000 | 600 | 600 |
| Pulse | 8 kV | 8 kV | 8 kV | 8 kV |
| Pollution degree | 3 | 3 | | |
| Current | Current | | Current | |
| | DIN | NFC | DIN | NFC |
| Rated | 125 A | 101 A | 115 A | 125 A |
| Wire size | Wire size | | | |
| | DIN | NFC | UL | CSA |
| Rated / Gauge | 35 mm ² | 25 mm ² | 2 AWG | 4 AWG |
| Lug | Wire clamp | | Wire stripping length | |
| Recommended wrench | H 10 mm | | | |
| Recommended torque | 4,5 Nm 39 lb.in | | | |

Characteristics

| Wire size | Wire size | | | |
|----------------------|------------------------|----------------------|-----------------------|------------|
| | DIN | NFC | UL | CSA |
| Lug | 2,5-70 mm ² | 6-70 mm ² | 4-00 AWG | 0 AWG max. |
| Bar | 20 x 5 mm .78" x .20" | | | |
| Wire-clamp | 20 x 5 mm .78" x .20" | | | |
| Voltage | Voltage | | Voltage | |
| | IEC | IEC | IEC | IEC |
| V~ Without partition | 1000 | 1000 | 600 | 600 |
| V~ With partition | 1000 | 1000 | 600 | 600 |
| Pulse | 8 kV | 8 kV | 8 kV | 8 kV |
| Pollution degree | 3 | 3 | | |
| Current | Current | | Current | |
| | DIN | NFC | DIN | NFC |
| Rated | 150 A | 150 A | 175 A | 200 A |
| Wire size | Wire size | | | |
| | DIN | NFC | UL | CSA |
| Rated / Gauge | 50 mm ² | 50 mm ² | 00 AWG | 0 AWG |
| Lug | Wire clamp | | Wire stripping length | |
| Recommended wrench | H 13 mm | | | |
| Recommended torque | 6 Nm 52 lb.in | | | |

| Type | Part number |
|---------------|-------------------------------|
| BAEH | th. 12 mm 0116 934.04 |
| BADH | th. 12 mm 0116 900.27 |
| BAMH | th. 9,1 mm 0114 836.00 |
| ECP26 | 0113 689.24 |
| CPP261 | 1 block 0168 202.13 |
| CPP262 | 2 blocks 0168 201.12 |
| CPP263 | 3 blocks 0163 403.20 |
| CPU26 | 0114 882.07 |

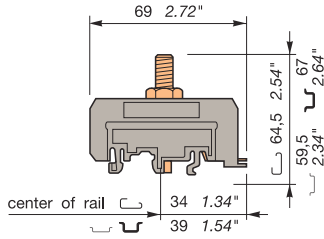
| Type | Part number |
|---------------|-------------------------------|
| BAEH | th. 12 mm 0116 934.04 |
| BADH | th. 12 mm 0116 900.27 |
| BAMH | th. 9,1 mm 0114 836.00 |
| ECP31 | 0113 690.21 |
| CPP311 | 1 block 0168 204.15 |
| CPP312 | 2 blocks 0168 203.14 |
| CPP313 | 3 blocks 0163 409.06 |
| CPU31 | 0114 996.01 |

⑮ for ECP ⑥ for CPU

⑮ for ECP ⑥ for CPU

M 120/35.F

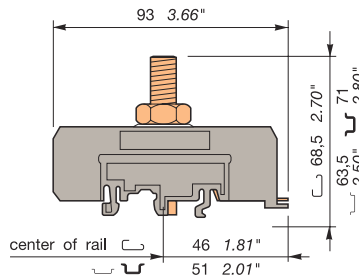
Spacing 35 mm (1.38")



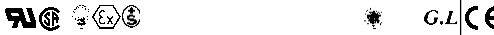
1 stud M8

M 300/42.F

Spacing 42 mm (1.65")



1 stud M10



| Color | Type | Part number |
|-------|------------|-------------|
| Grey | M 120/35.F | 0115 147.16 |

| Color | Type | Part number |
|-------|------------|-------------|
| Grey | M 300/42.F | 0115 150.25 |

Characteristics

| Wire size | | | | |
|----------------------|------------------------|----------------------|-----------|--------------|
| | DIN | NFC | UL | CSA |
| Lug | 2,5-70 mm ² | 6-95 mm ² | 2-250 MCM | 000 AWG max. |
| Bar | 25 x 5 mm | | 1" x .20" | |
| Wire-clamp | | | | |
| Voltage | | | | |
| | IEC | IEC | | |
| V~ Without partition | 1000 | 1000 | 600 | 600 |
| V~ With partition | 1000 | 1000 | 600 | 600 |
| Pulse | 8 kV | 8 kV | | |
| Pollution degree | 3 | 3 | | |
| Current | | | | |
| | DIN | NFC | | |
| Rated | 150 A | 192 A | 255 A | 270 A |

Characteristics

| Wire size | | | | |
|----------------------|-----------------------|------------------------|--------------|---------|
| | DIN | NFC | UL | CSA |
| Lug | 6-150 mm ² | 50-150 mm ² | 0-500 MCM | 500 MCM |
| Bar | 32 x 8 mm | | 1.26" x .32" | |
| Wire-clamp | | | | |
| Voltage | | | | |
| | IEC | IEC | | |
| V~ Without partition | 1000 | 1000 | 600 | 600 |
| V~ With partition | 1000 | 1000 | 600 | 600 |
| Pulse | 8 kV | 8 kV | | |
| Pollution degree | 3 | 3 | | |
| Current | | | | |
| | DIN | NFC | | |
| Rated | 269 A | 269 A | 230 A | 550 A |

| Wire-size | | | | |
|---------------|--------------------|--------------------|-----------------------|---------|
| Rated | 50 mm ² | 70 mm ² | 250 MCM | 000 AWG |
| Lug | Central bolt | Wire-clamp | Wire stripping length | |
| H 13 mm | | | | |
| 6 Nm 52 lb.in | | | | |

| Wire-size | | | | |
|----------------|---------------------|---------------------|-----------------------|---------|
| Rated | 120 mm ² | 120 mm ² | 500 MCM | 500 MCM |
| Lug | Central bolt | Wire-clamp | Wire stripping length | |
| H 16 mm | | | | |
| 10 Nm 87 lb.in | | | | |

| Type | | Part numbers |
|--------|----------|------------------------|
| BAEH | | th. 12 mm 0116 934.04 |
| BADH | | th. 12 mm 0116 900.27 |
| BAMH | | th. 9,1 mm 0114 836.00 |
| ECP35 | | 0113 691.16 |
| CPP351 | 1 block | 0168 206.17 |
| CPP352 | 2 blocks | 0168 205.16 |
| CPP353 | 3 blocks | 0163 418.26 |
| CPU35 | | 0116 514.07 |

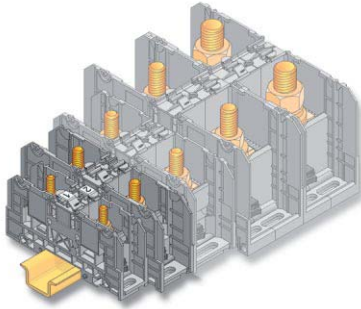
| Type | | Part numbers |
|--------|----------|------------------------|
| BAEH | | th. 12 mm 0116 934.04 |
| BADH | | th. 12 mm 0116 900.27 |
| BAMH | | th. 9,1 mm 0114 836.00 |
| ECP42 | | 0113 692.17 |
| CPP421 | 1 block | 0168 208.21 |
| CPP422 | 2 blocks | 0168 207.10 |
| CPP423 | 3 blocks | 0163 424.14 |
| CPU42 | | 0116 515.00 |

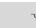
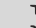
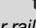
15 for ECP 6 for CPU

15 for ECP 6 for CPU

Power terminal blocks

 DIN 3 with bistable foot and base mounting



| | | | | | |
|------|--|---------------|-------------|------------|--------------------|
| Rail |  | 35 x 7,5 x 1 | PR30 | prepunched | 0173 220.05 |
| Rail |  | 35 x 15 x 2,3 | PR4 | | 0168 500.12 |
| Rail |  | 35 x 15 x 1,5 | PR5 | prepunched | 0101 598.26 |

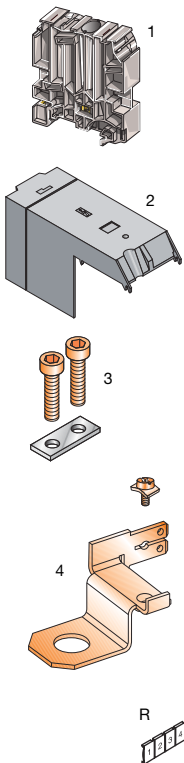
Other rails : See Accessories section

Notes

* NFC 20130
** DIN 46234

Base mounting with M6 screws.
See drilling page 289.

Accessories

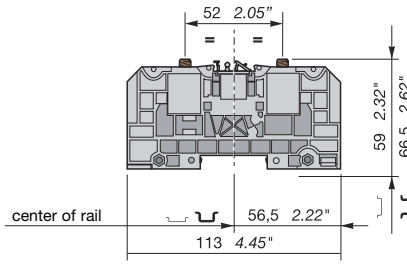


- End stop (other end stops : see accessories)
- Rotating protective cover IP 20
- Jumper bar with CHc screws
2 poles
3 poles
- TAP for Faston 6.35 x 0.8 mm and screw

R See section on markers
Marking method

D 35/27.FF

Spacing 27 mm (1.06")



2 studs M6



| Color | Type | Part number |
|-----------------------------------|------------------|--------------------|
| Grey V0 without cover | D35/27.FF | 0190 001.20 |
| Grey V0 delivered with two covers | D35/27.FF | 0190 033.17 |

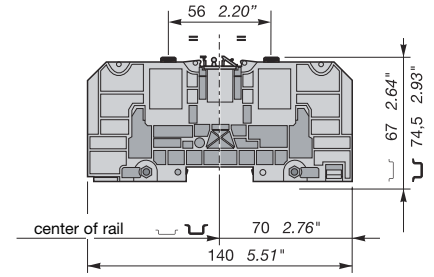
Characteristics

| Wire size | IEC | | UL CSA | |
|------------------|------------------------|------------------------|------------|-----|
| | NFC* | DIN** | UL | CSA |
| Lug Solid wire | 2,5-35 mm ² | 2,5-50 mm ² | 1 AWG max. | |
| C4 Stranded wire | 2,5-35 mm ² | 2,5-35 mm ² | 1 AWG max. | |

| Rated voltage | | | |
|--------------------|--------------------|----------------|-----------------------|
| V =~ | 1000 | 600 | |
| Pulse | 8 kV | | |
| Pollution degree | 3 | | |
| Rated current | | | |
| Nominal | 125 A | 125 A | |
| Rated wire size | | | |
| Nominal | 35 mm ² | 1 AWG max. | |
| Lug | Central screw | Wire-clamp | Wire stripping length |
| Recommended wrench | H 10 mm | 6 mm Allen key | |
| Recommended torque | 3 Nm 26.1 lb.in | 6 Nm 52 lb.in | |

D 70/32.FF

Spacing 32 mm (1.26")



2 studs M8



| Color | Type | Part number |
|-----------------------------------|------------------|--------------------|
| Grey V0 without cover | D70/32.FF | 0190 002.21 |
| Grey V0 delivered with two covers | D70/32.FF | 0190 034.10 |

Characteristics

| Wire size | IEC | | UL CSA | |
|------------------|----------------------|----------------------|--------------|-----|
| | NFC* | DIN** | UL | CSA |
| Lug Solid wire | 6-95 mm ² | 6-70 mm ² | 000 AWG max. | |
| C4 Stranded wire | 6-70 mm ² | 6-70 mm ² | 000 AWG max. | |

| Rated voltage | | | |
|--------------------|--------------------|----------------|-----------------------|
| V =~ | 1000 | 600 | |
| Pulse | 8 kV | | |
| Pollution degree | 3 | | |
| Rated current | | | |
| Nominal | 192 A | 170 A | |
| Rated wire size | | | |
| Nominal | 70 mm ² | 000 AWG max. | |
| Lug | Central screw | Wire-clamp | Wire stripping length |
| Recommended wrench | H 13 mm | 6 mm Allen key | |
| Recommended torque | 6 Nm 52 lb.in | 6 Nm 52 lb.in | |

| Type | Part number |
|-----------------------|--------------------|
| BADH th. 12 mm | 0116 900.27 |
| CPUF35 V0 grey | 0190 016.16 |
| BJS27 | 0205 772.13 |
| BJS27 | 0205 773.14 |
| DRF6 | 0205 767.16 |

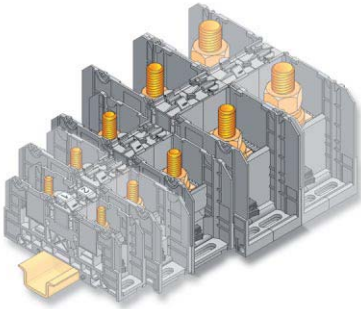
| Type | Part number |
|-----------------------|--------------------|
| BADH th. 12 mm | 0116 900.27 |
| CPUF70 V0 grey | 0190 017.17 |
| BJS32 | 0205 774.15 |
| BJS32 | 0205 775.16 |
| DRF8 | 0205 768.27 |

On cover :  RC810 On the middle :  RC810 or  RPC

On cover :  RC810 On the middle :  RC810 or  RPC

Power terminal blocks

DIN 3 with bistable foot and base mounting



| | | | |
|---------------------------------------|---------------|------------------------|--------------------|
| Rail | 35 x 7,5 x 1 | PR30 prepunched | 0173 220.05 |
| Rail | 35 x 15 x 2,3 | PR4 | 0168 500.12 |
| Rail | 35 x 15 x 1,5 | PR5 prepunched | 0101 598.26 |
| Other rails : See Accessories section | | | |

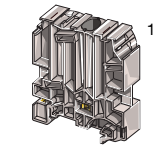
Notes

- * NFC 20130
- ** DIN 46234

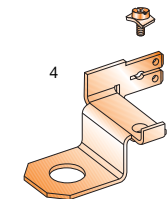
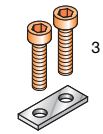
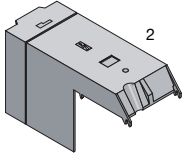
Base mounting with M6 screws.
See drilling page 289.

| | | |
|--------------------|----------------|----------------|
| Recommended wrench | H 17 mm | 6 mm Allen key |
| Recommended torque | 10 Nm 87 lb.in | 6 Nm 52 lb.in |

Accessories



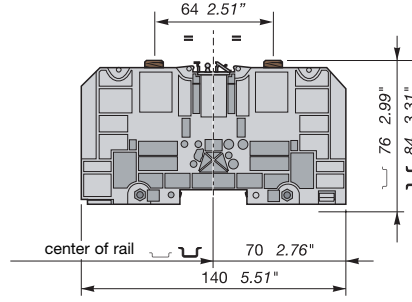
- End stop
(other end stops : see accessories)
- Rotating protective cover IP 20
- Jumper bar with CHc screws
2 poles
3 poles
- TAP for Faston 6.35 x 0.8 mm and screw



R See section on markers
Marking method

D 120/42.FF

Spacing 42 mm (1.65")



2 studs M10



| Color | Type | Part number |
|-----------------------------------|-------------------|--------------------|
| Grey V0 without cover | D120/42.FF | 0190 003.22 |
| Grey V0 delivered with two covers | D120/42.FF | 0190 035.11 |

| Color | Type | Part number |
|-------|------|-------------|
|-------|------|-------------|

Characteristics

| Wire size | IEC | | | |
|------------------|-----------------------|-----------------------|--------------|-----|
| | NFC* | DIN** | UL | CSA |
| Lug Solid wire | 6-150 mm ² | 6-120 mm ² | 300 MCM max. | |
| C8 Stranded wire | 6-120 mm ² | | 300 MCM max. | |

Characteristics

| Wire size | IEC | | | |
|------------------|------|-------|------------|-------------|
| | NFC* | DIN** | UL pending | CSA pending |
| Lug Solid wire | | | | |
| C8 Stranded wire | | | | |

Rated voltage

| | | |
|------------------|------|-----|
| V ~ | 1000 | 600 |
| Pulse | 8 kV | |
| Pollution degree | 3 | |

Rated voltage

| | | |
|------------------|--|--|
| V ~ | | |
| Pulse | | |
| Pollution degree | | |

Rated current

| | | |
|---------|-------|-------|
| Nominal | 269 A | 269 A |
|---------|-------|-------|

Rated current

| | | |
|---------|--|--|
| Nominal | | |
|---------|--|--|

Rated wire size

| | | |
|---------|---------------------|--------------|
| Nominal | 120 mm ² | 300 MCM max. |
|---------|---------------------|--------------|

Rated wire size

| | | |
|---------|--|--|
| Nominal | | |
|---------|--|--|


| Lug | Central screw | Wire-clamp | Wire stripping length | Lug | Central screw | Wire-clamp | Wire stripping length |
|-----|---------------|------------|-----------------------|-----|---------------|------------|-----------------------|
| | | | | | | | |

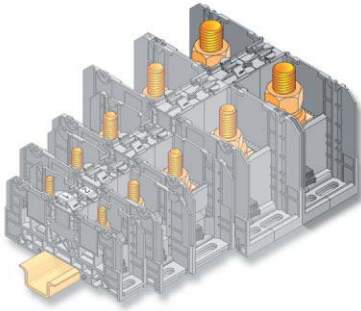
| Type | | Part number |
|----------------|-----------|--------------------|
| BADH | th. 12 mm | 0116 900.27 |
| CPUF120 | V0 grey | 0190 018.20 |
| BJS42 | | 0205 776.17 |
| BJS42 | | 0205 777.10 |
| DRF10 | | 0205 769.20 |



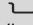
| Type | Part number |
|------|-------------|
|------|-------------|

| | |
|------------|---------------------|
| On cover : | On the middle : |
| 17 RC 810 | 17 RC 810 or 20 RPC |

Power terminal blocks

 **DIN 3 with bistable foot and base mounting**



| | | | | |
|------|---|---------------|------------------------|--------------------|
| Rail |  | 35 x 7,5 x 1 | PR30 prepunched | 0173 220.05 |
| Rail |  | 35 x 15 x 2,3 | PR4 | 0168 500.12 |
| Rail |  | 35 x 15 x 1,5 | PR5 prepunched | 0101 598.26 |

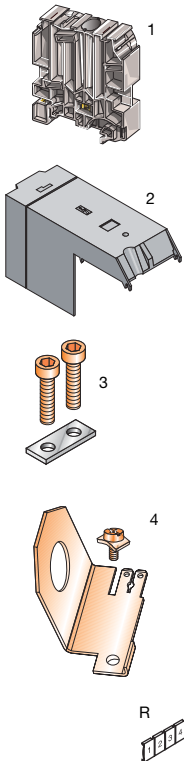
Other rails : See Accessories section

Notes

* NFC 20130
** DIN 46234

Base mounting with M6 screws.
See drilling page 289.

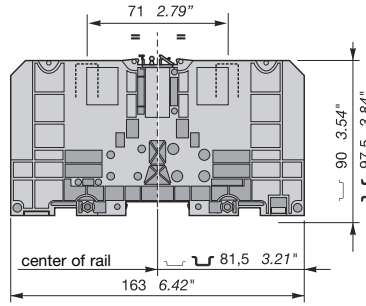
Accessories



- 1 End stop (other end stops : see accessories)
 - 2 Rotating protective cover IP 20
 - 3 Jumper bar with CHc screws
2 poles
3 poles
 - 4 TAP for Faston 6.35 x 0.8 mm and screw
- R See section on markers
Marking method

D 185/55.FF

Spacing 55 mm (2.16")



2 studs M12



| Color | Type | Part number |
|-----------------------------------|-------------------|--------------------|
| Grey V0 without cover | D185/55.FF | 0190 004.23 |
| Grey V0 delivered with two covers | D185/55.FF | 0190 036.12 |

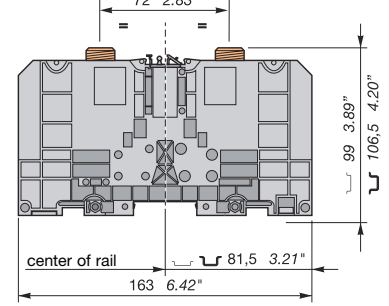
Characteristics

| Wire size | IEC | | UL CSA | |
|-------------------|------------------------|-----------------------|--------------|-----|
| | NFC* | DIN** | UL | CSA |
| Lug Solid wire | 25-240 mm ² | 6-185 mm ² | 500 MCM max. | |
| C11 Stranded wire | 6-185 mm ² | | 500 MCM max. | |

| Rated voltage | | Rated current | | Rated wire size | |
|------------------|------|---------------|-------|-----------------|---------------------|
| V =~ | 1000 | Nominal | 353 A | Nominal | 185 mm ² |
| Pulse | 8 kV | | | | 500 MCM max. |
| Pollution degree | 3 | | | | |

D 300/55.FF

Spacing 55 mm (2.16")



2 studs M16



| Color | Type | Part number |
|-----------------------------------|-------------------|--------------------|
| Grey V0 without cover | D300/55.FF | 0190 005.24 |
| Grey V0 delivered with two covers | D300/55.FF | 0190 037.13 |

Characteristics

| Wire size | IEC | | UL CSA | |
|----------------|------------------------|-----------------------|---------------|-----|
| | NFC* | DIN** | UL | CSA |
| Lug Solid wire | 25-300 mm ² | 6-300 mm ² | 1000 MCM max. | |
| Stranded wire | 6-300 mm ² | | 1000 MCM max. | |

| Rated voltage | | Rated current | | Rated wire size | |
|------------------|------|---------------|-------|-----------------|---------------------|
| V =~ | 1000 | Nominal | 520 A | Nominal | 300 mm ² |
| Pulse | 8 kV | | | | 1000 MCM max. |
| Pollution degree | 3 | | | | |

| Type | Part number |
|------------------------|--------------------|
| BADH th. 12 mm | 0116 900.27 |
| CPUF185 V0 grey | 0190 019.21 |
| BJS551 | 0205 778.21 |
| BJS551 | 0205 779.22 |
| DRF12 | 0205 770.25 |

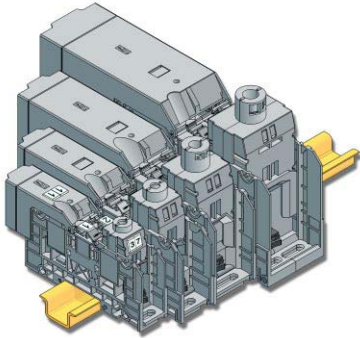
| Type | Part number |
|------------------------|--------------------|
| BADH th. 12 mm | 0116 900.27 |
| CPUF185 V0 grey | 0190 019.21 |
| BJS551 | 0205 778.21 |
| BJS551 | 0205 779.22 |
| DRF16 | 0205 771.12 |

On cover :  RC810 On the middle :  RC810 or  RPC

On cover :  RC810 On the middle :  RC810 or  RPC

Power terminal blocks

DIN 3 with bistable foot and base mounting



Delivered with cover

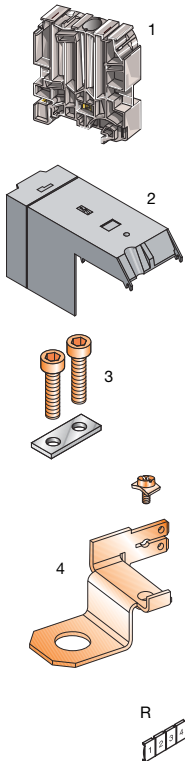
| | | | |
|---------------------------------------|---------------|------------|--------------------|
| Rail | 35 x 7,5 x 1 | PR3 | 0164 800.03 |
| Rail | 35 x 15 x 2,3 | PR4 | 0168 500.12 |
| Rail | 35 x 15 x 1,5 | PR5 | 0168 700.22 |
| Other rails : See Accessories section | | | |

Notes

* NFC 20130
** DIN 46234

Base mounting with M6 screws.
See drilling, page 289.

Accessories

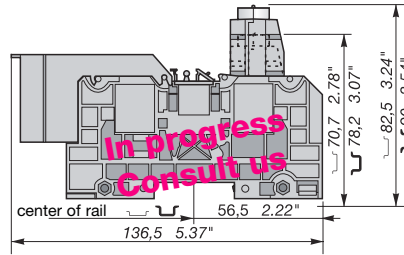


- End stop (other end stops : see accessories)
- Rotating protective cover IP 20
- Jumper bar with CHC screws
2 poles
3 poles
- TAP for Faston 6.35 x 0.8 mm and screw

R See section on markers
Marking method

D 35/27.AF

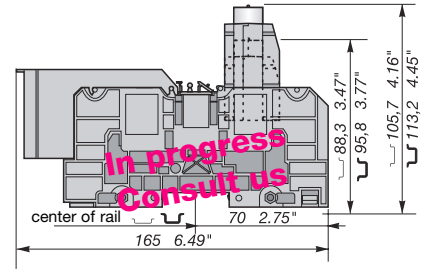
Spacing 27 mm (1.07")



1 stud M6 + 1 wire-clamp with CHC M6 screw

D 70/32.AF

Spacing 32 mm (1.26")



1 stud M8 + 1 wire-clamp with CHC M8 screw



| Color | Type | Part number |
|---------|------------------|--------------------|
| Grey V0 | D35/27.AF | 0190 006.25 |

Delivered with covers

| Color | Type | Part number |
|---------|-------------------|--------------------|
| Grey V0 | D 70/32.AF | 0190 007.26 |

Delivered with covers

Characteristics

| Wire size | NFC* | DIN** | UL | CSA |
|-----------------------|-----------------------|-----------------------|----|-----|
| Lug Solid wire | 2,5-35mm ² | 2,5-50mm ² | | |
| C4 Stranded wire | 2,5-35mm ² | 2,5-35mm ² | | |
| Wire-clamp Solid wire | 2,5-40mm ² | | | |
| IEC B9 Stranded wire | 2,5-35mm ² | | | |
| Rated voltage | IEC | IEC | | |
| V =- | 1000 | 1000 | | |
| Pulse | 8 kV | 8 kV | | |
| Pollution degree | 3 | 3 | | |
| Rated current | IEC | | | |
| Nominal | 125 A | | | |

Rated wire size

| Nominal | 35 mm ² | Wire-clamp | Wire stripping length |
|--------------------|--------------------|----------------|-----------------------|
| Lug | H 10 mm | 5 mm Allen Key | 28 mm 1.10" |
| Recommended wrench | 3 Nm 26.1 lb.in | 6 Nm 52 lb.in | 3 Nm 26,3 lb.in |
| Recommended torque | | | |

Characteristics

| Wire size | NFC* | DIN** | UL | CSA |
|-----------------------|----------------------|----------------------|----|-----|
| Lug Solid wire | 6-95 mm ² | 6-70 mm ² | | |
| C6 Stranded wire | 6-70 mm ² | 6-70 mm ² | | |
| Wire-clamp Solid wire | 6-95 mm ² | | | |
| IEC B11 Stranded wire | 6-70 mm ² | | | |
| Rated voltage | IEC | IEC | | |
| V =- | 1000 | 1000 | | |
| Pulse | 8 kV | 8 kV | | |
| Pollution degree | 3 | 3 | | |
| Rated current | IEC | | | |
| Nominal | 192 A | | | |

Rated wire size

| Nominal | 70 mm ² | Wire-clamp | Wire stripping length |
|--------------------|--------------------|----------------|-----------------------|
| Lug | H 13 mm | 6 mm Allen Key | 33 mm 1.30" |
| Recommended wrench | 6 Nm 52 lb.in | 6 Nm 52 lb.in | 8 Nm 69,3 lb.in |
| Recommended torque | | | |

| Type | Part number |
|---------------|--------------------|
| BADH | 0116 900.27 |
| CPUF35 | 0190 016.16 |
| BJS27 | 0205 772.13 |
| BJS27 | 0205 773.14 |
| DRF6 | 0205 767.16 |

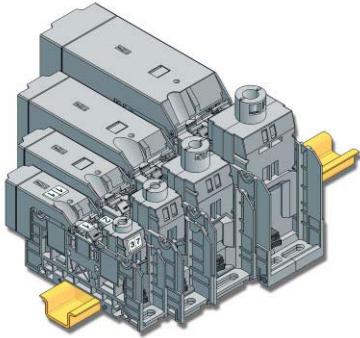
| Type | Part number |
|---------------|--------------------|
| BADH | 0116 900.27 |
| CPUF70 | 0190 017.17 |
| BJS32 | 0205 774.15 |
| BJS32 | 0205 775.16 |
| DRF8 | 0205 768.27 |

On cover : (17) RC 810 On the middle : (17) RC 810 (20) RPC

On cover : (17) RC 810 On the middle : (17) RC 810 (20) RPC

Power terminal blocks

DIN 3 with bistable foot and base mounting



Delivered with cover

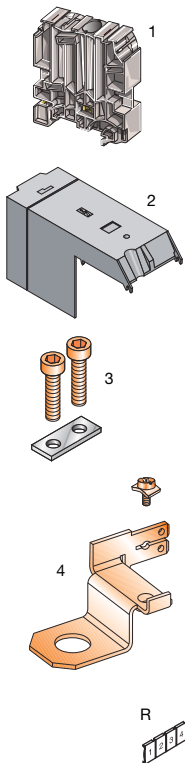
| | | | |
|---------------------------------------|---------------|-----|-------------|
| Rail | 35 x 7,5 x 1 | PR3 | 0164 800.03 |
| Rail | 35 x 15 x 2,3 | PR4 | 0168 500.12 |
| Rail | 35 x 15 x 1,5 | PR5 | 0168 700.22 |
| Other rails : See Accessories section | | | |

Notes

* NFC 20130
** DIN 46234

Base mounting with M6 screws.
See drilling, page 289.

Accessories

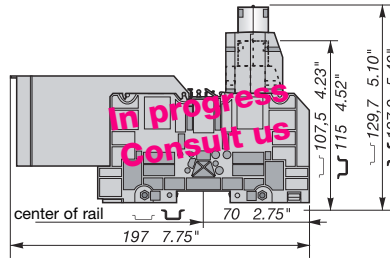


- End stop (other end stops : see accessories)
- Rotating protective cover IP 20
- Jumper bar with CHC screws
2 poles
3 poles
- TAP for Faston 6.35 x 0.8 mm and screw

R See section on markers
Marking method

D 120/42.AF

Spacing 42 mm (1.65")



1 stud M10 + wire clamp with CHC M10 screw



| Color | Type | Part number |
|---------|------------|-------------|
| Grey V0 | D120/42.AF | 0190 008.07 |

Delivered with covers

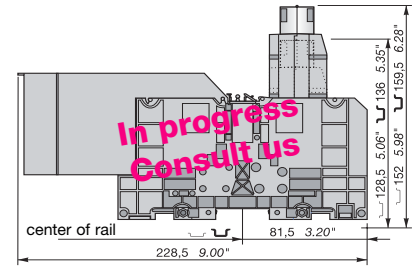
Characteristics

| Wire size | NFC* | DIN** | UL | CSA |
|-----------------------|-----------------------|-----------------------|----|-----|
| Lug Solid wire | 6-150 mm ² | 6-120 mm ² | | |
| C8 Stranded wire | 6-120 mm ² | | | |
| Wire-clamp Solid wire | 6-150 mm ² | | | |
| IEC B13 Stranded wire | 6-120 mm ² | | | |
| Rated voltage | IEC | IEC | | |
| V ~ | 1000 | 1000 | | |
| Pulse | 8 kV | 8 kV | | |
| Pollution degree | 3 | 3 | | |
| Rated current | IEC | | | |
| Nominal | 269 A | | | |

| Rated wire size | | | |
|---------------------|----------------|----------------|-----------------------|
| Nominal | Lug | Central screw | Wire-clamp |
| 120 mm ² | H 17 mm | 6 mm Allen key | 8 mm Allen key |
| | 10 Nm 87 lb.in | 6 Nm 52 lb.in | 10 Nm 87 lb.in |
| | | | Wire stripping length |
| | | | 38 mm 1.50" |

D 185/55.AF

Spacing 55 mm (2.16")



1 stud M12 + wire clamp with CHC M12 screw



| Color | Type | Part number |
|---------|------------|-------------|
| Grey V0 | D185/55.AF | 0190 009.00 |

Delivered with covers

Characteristics

| Wire size | NFC* | DIN** | UL | CSA |
|-----------------------|------------------------|-----------------------|----|-----|
| Lug Solid wire | 25-240 mm ² | 6-185 mm ² | | |
| C11 Stranded wire | 6-185 mm ² | 6-185 mm ² | | |
| Wire-clamp Solid wire | 25-240 mm ² | | | |
| IEC B15 Stranded wire | 25-185 mm ² | | | |
| Rated voltage | IEC | IEC | | |
| V ~ | 1000 | 1000 | | |
| Pulse | 8 kV | 8 kV | | |
| Pollution degree | 3 | 3 | | |
| Rated current | IEC | | | |
| Nominal | 353 A | | | |

| Rated wire size | | | |
|---------------------|-----------------|----------------|-----------------------|
| Nominal | Lug | Central screw | Wire-clamp |
| 185 mm ² | H 19 mm | 6 mm Allen key | 10 mm Allen key |
| | 14 Nm 121 lb.in | 6 Nm 52 lb.in | 14 Nm 121 lb.in |
| | | | Wire stripping length |
| | | | 47 mm 1.85" |

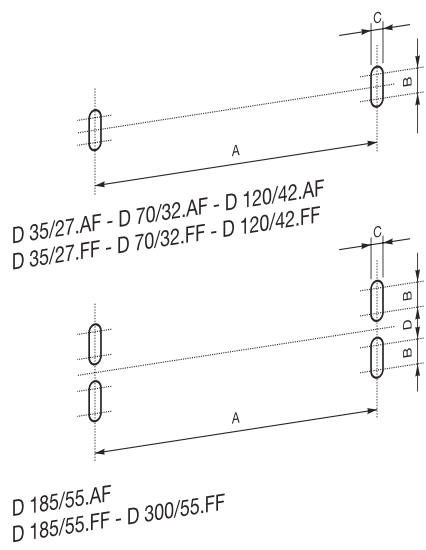
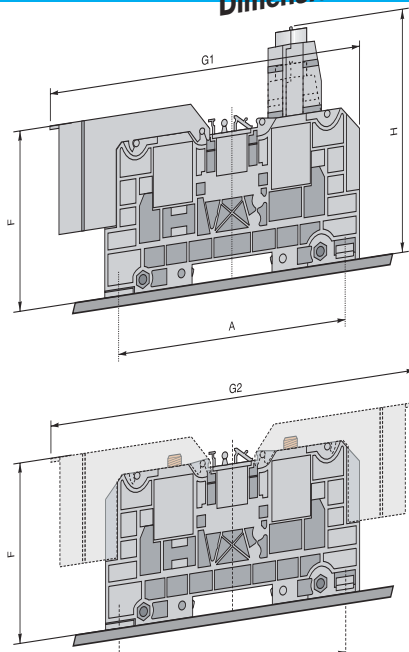
| Type | Part number |
|---------|-------------|
| BADH | 0116 900.27 |
| CPUF120 | 0190 018.20 |
| BJS42 | 0205 776.17 |
| BJS42 | 0205 777.10 |
| DRF10 | 0205 769.20 |

| Type | Part number |
|---------|-------------|
| BADH | 0116 900.27 |
| CPUF185 | 0190 019.21 |
| BJS551 | 0205 778.21 |
| BJS551 | 0205 779.22 |
| DRF12 | 0205 770.25 |

On cover : (17) RC 810 On the middle : (17) RC 810 (20) RPC

On cover : (17) RC 810 On the middle : (17) RC 810 (20) RPC

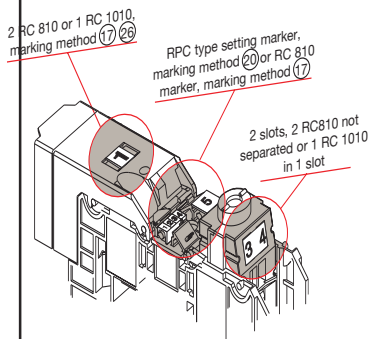
Drilling for panel mounting. Dimensions for terminal blocks with covers.



| Type | Mounting with: | A | B | C | D | F | G1 | G2 | H |
|-------------|----------------|-------|------|-----|-----|-------|-------|-------|-------|
| D 35/27... | 2 Screws | 100,5 | 7,5 | 6,5 | / | 63,5 | 136,5 | 160 | 82,5 |
| D 70/32... | 2 Screws | 120 | 7,5 | 6,5 | / | 72,5 | 165 | 190,5 | 105,7 |
| D 120/42... | 2 Screws | 120 | 7,5 | 6,5 | / | 83,5 | 197 | 255,5 | 129,7 |
| D 185/55... | 4 Screws | 135 | 13,5 | 6,5 | 8,5 | 103,5 | 228,5 | 295 | 151,5 |
| D 300/55... | 4 Screws | 135 | 13,5 | 6,5 | 8,5 | 105 | / | 295 | / |

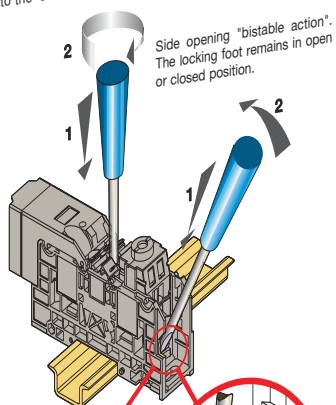
Dimensions in mm.

Marking

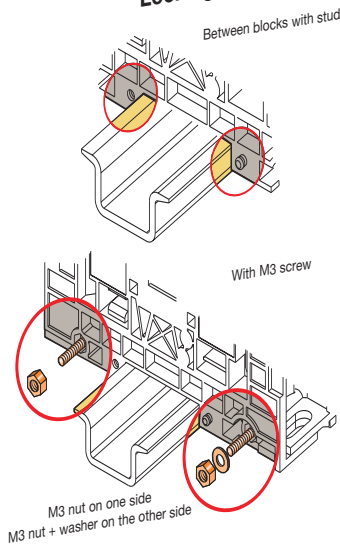


Locking foot operated with screwdriver DIA. 4

Center opening (to be made after jumper bar has been removed) "monostable action". When the screwdriver is removed, the locking foot returns to the closed position

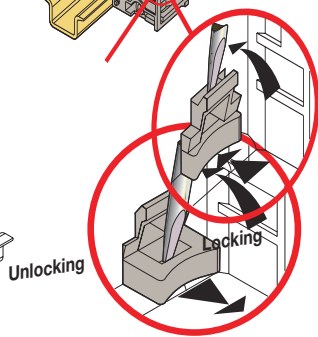
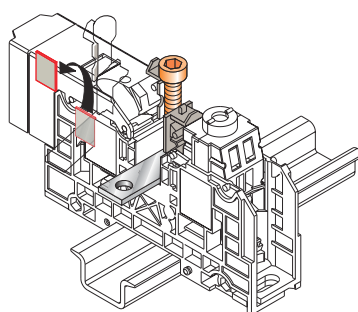


Locking

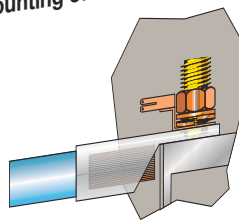


Jumper bar.

- move the marker holders up
- cut out the partition
- screw in the jumper bar



Mounting of the derivative system



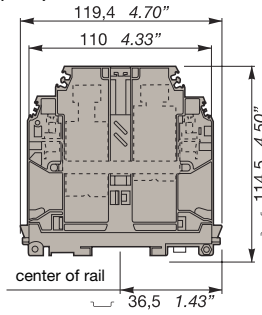
Standard terminal blocks

Compression clamp

DIN 3

D 150/31.D10

Spacing 31 mm (1.22")



Standard 31 mm block. Delivered with end plate and 10 mm² (6 AWG) output.



| Color | Type | Part numbers |
|--------------|-----------------|--------------|
| Grey | D 150/31.D10 | 0399 715.04 |
| Blue | D 150/31.D10.N | 0399 717.01 |
| Green/Yellow | D 150/31.D10.PI | 0399 716.05 |

Characteristics

| Wire size | IEC | | | UL | CSA |
|---------------------------|------------------------|-----|--|---------------|----------|
| | NFC | DIN | | | |
| Main circuit Solid wire | 25-185 mm ² | | | 4 AWG-350 MCM | |
| Comp. clamp Stranded wire | 35-150 mm ² | | | 2AWG-300 MCM | |
| Output Solid wire | 0,5-16 mm ² | | | | |
| Comp. clamp Stranded wire | 0,5-10 mm ² | | | 18-6 AWG | 18-6 AWG |

| Voltage | Rated | 1000 V | 600 V | 600 V |
|------------------|-------|--------|-------|-------|
| | Pulse | | 12 kV | |
| Pollution degree | | 3 | | |

| Current Rated | Main circuit | 309 A | 445 A | 445 A |
|---------------|--------------|-------|-------|-------|
| | Output | | 57 A | 70 A |

| Wire size Rated / Gauge | Main circuit | 150 mm ² / B14 | 300 MCM | 300 MCM |
|-------------------------|--------------|---------------------------|--------------------------|---------|
| | Output | | 10 mm ² / B14 | 6 AWG |

| | Wire strip. length | Tools | Recomm. torque | Protection |
|--------------|--------------------|--------------------|-----------------|------------|
| Main circuit | 35 mm | 8 mm Allen Key | 10-30 Nm | IP 20 * |
| | 1.37" | 0.31" | 88.5-260 lb.in | |
| Output | 12 mm | Screwdriver 0.4 mm | 1.2-1.4 Nm | |
| | 0.47" | | 10.6-12.3 lb.in | |

| | | | |
|----------|---------------|------------------------|--------------------|
| End stop | th. 9,1 mm | BAMH | 0114 836.00 |
| End stop | th. 12 mm | BADH | 0116 900.27 |
| Rail | 35 x 7,5 x 1 | PR30 prepunched | 0173 220.05 |
| Rail | 35 x 15 x 2,3 | PR4 | 0168 500.12 |
| Rail | 35 x 15 x 1,5 | PR5 prepunched | 0101 598.26 |

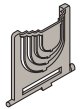
Other end stops and rails : See Accessories section

Notes

- * In the wire entry :
 - Accessory CPBP2 needed
 - IP10 without the accessory.

Accessories

- Jumper bar not assembled
- IP20 cover



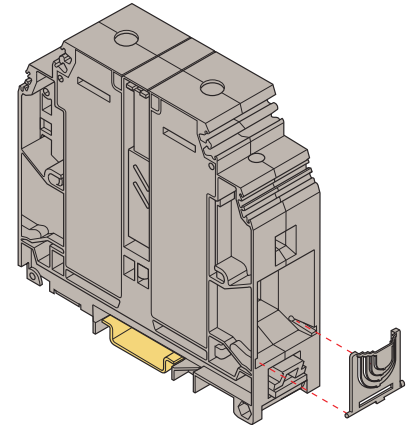
2

| Type | Part numbers |
|------|--------------|
|------|--------------|

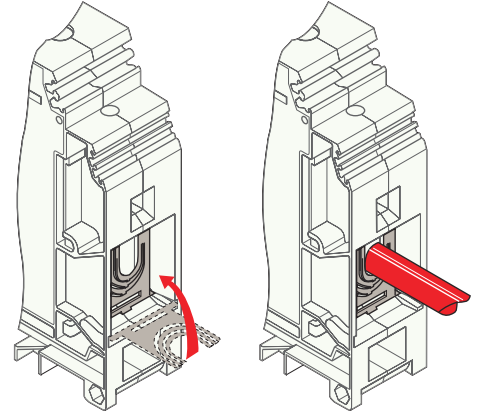
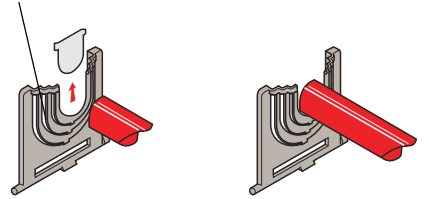
| | |
|--------------|--------------------|
| | Consult us |
| CPBP1 | 0399 788.16 |

R See section on markers marking method

| | | | | | | |
|--------|--|--|--|--|--|--|
| RC1010 | | | | | | |
|--------|--|--|--|--|--|--|

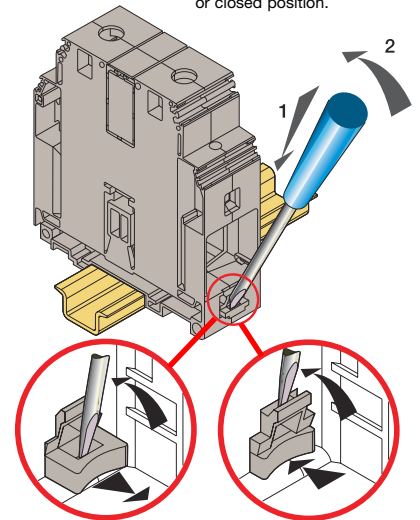


Partition to cut to fit the wire diameter.



Locking foot operating with screwdriver DIA. 4

Side opening "bistable action". The locking foot remains in open or closed position.



Unlocking

Locking

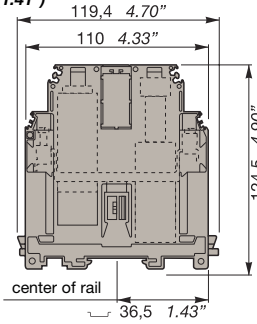
Standard terminal blocks

Compression clamp

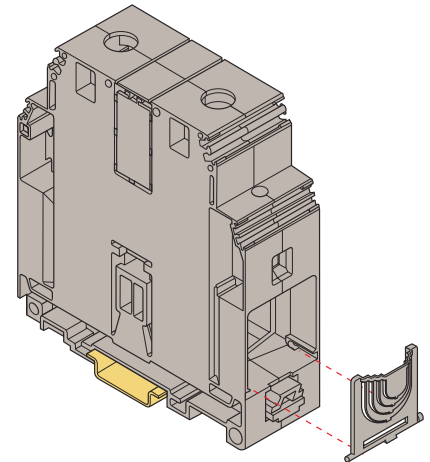
DIN 3

D 240/36.D10

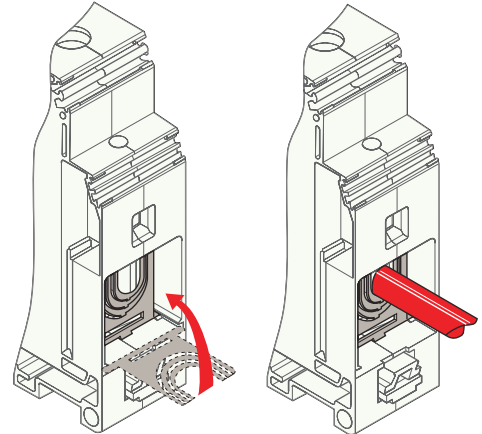
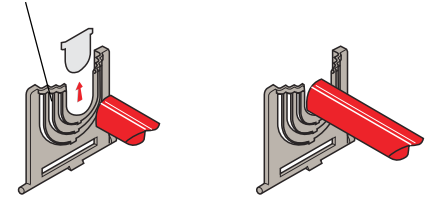
Spacing 36 mm (1.41")



Standard 36 mm block. Delivered with end plate and 10 mm² (6 AWG) output.



Partition to cut to fit the wire diameter.



| | | | |
|----------|---------------|------------------------|--------------------|
| End stop | th. 9,1 mm | BAMH | 0114 836.00 |
| End stop | th. 12 mm | BADH | 0116 900.27 |
| Rail | 35 x 7,5 x 1 | PR30 prepunched | 0173 220.05 |
| Rail | 35 x 15 x 2,3 | PR4 | 0168 500.12 |
| Rail | 35 x 15 x 1,5 | PR5 prepunched | 0101 598.26 |

Other end stops and rails : See Accessories section

Notes

- * In the wire entry :
 - Accessory CPBP2 needed
 - IP10 without the accessory.

| | | | |
|--|--|----|--|
| | | CE | |
|--|--|----|--|

| Color | Type | Part numbers |
|--------------|------------------------|--------------------|
| Grey | D 240/36.D10 | 0399 704.12 |
| Blue | D 240/36.D10.N | 0399 706.14 |
| Green/Yellow | D 240/36.D10.PI | 0399 705.13 |

Characteristics

| Wire size | IEC | | | UL | CSA |
|---------------------------|------------------------|-----|--|---------------|----------|
| | NFC | DIN | | | |
| Main circuit Solid wire | 50-300 mm ² | | | 0 AWG-600 MCM | |
| Comp. clamp Stranded wire | 35-240 mm ² | | | 2 AWG-500 MCM | |
| Output Solid wire | 0,5-16 mm ² | | | | |
| Comp. clamp Stranded wire | 0,5-10 mm ² | | | 18-6 AWG | 18-6 AWG |

Voltage

| | | | |
|------------------|--------|-------|-------|
| Rated | 1000 V | 600 V | 600 V |
| Pulse | 8 kV | | |
| Pollution degree | 3 | | |

Current Rated

| | | | |
|--------------|-------|-------|-------|
| Main circuit | 415 A | 400 A | 400 A |
| Output | 57 A | 70 A | |

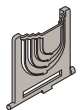
Wire size Rated / Gauge

| | | | |
|--------------|---------------------------|---------|---------|
| Main circuit | 240 mm ² / B14 | 500 MCM | 500 MCM |
| Output | 10 mm ² / B14 | 6 AWG | 6 AWG |

| | Wire strip. length | Tools | Recomm. torque | Protection |
|--------------|--------------------|--------------------|-----------------|------------|
| Main circuit | 35 mm | 10 mm Allen Key | 14-30 Nm | IP 20 * |
| | 1.37" | 0.39" | 124-260 lb.in | |
| Output | 12 mm | Screwdriver Ø 4 mm | 1,2-1,4 Nm | |
| | 0.47" | | 10.6-12.3 lb.in | |

Accessories

- Jumper bar not assembled
- IP20 cover



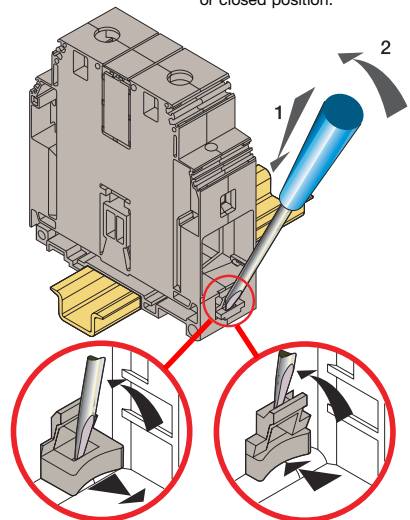
2

| Type | Part numbers |
|------|--------------|
|------|--------------|

| | |
|--------------|--------------------|
| | Consult us |
| CPBP2 | 0399 787.05 |

Locking foot operating with screwdriver DIA. 4

Side opening "bistable action". The locking foot remains in open or closed position.



Unlocking

Locking



R

R See section on markers marking method

| | | | | | | |
|--------|------|------|------|------|-----|-----|
| RC1010 | (26) | (17) | (11) | (10) | (6) | (3) |
|--------|------|------|------|------|-----|-----|

Power terminal blocks

Type I

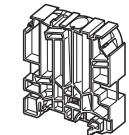
DIN 1 - DIN 3

| | | | | |
|------|--|---------------|--------------|--------------------|
| Rail | | 32 x 15 | PR1Z2 | 0163 050.04 |
| Rail | | 35 x 7,5 x 1 | PR3 | 0164 800.03 |
| Rail | | 35 x 15 x 2,3 | PR4 | 0168 500.12 |
| Rail | | 35 x 15 x 1,5 | PR5 | 0168 700.22 |

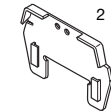
Other rails : See Accessories section.

Notes

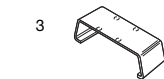
Accessories



1 End stop
(other end stops: see accessories)



2 Partition for cover



3 Protective cover
(marked cut)



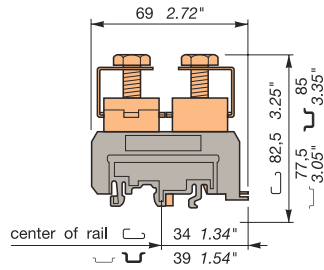
4 Protective cover



R See section on markers

M 120/35

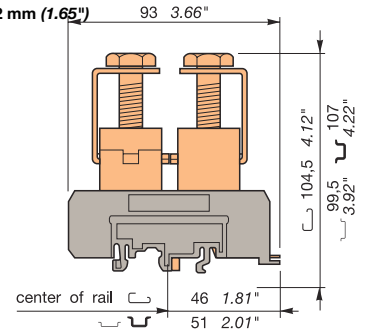
Spacing 35 mm (1.38")



2 wire-clamps with HM8 screw

M 300/42

Spacing 42 mm (1.65")



2 wire-clamps with HM10 screw



| Color | Type | Part numbers |
|----------|--------------------|--------------------|
| Grey | M 120/35 | 0115 250.01 |
| Beige V0 | M 120/35.V0 | 0195 250.02 |

| Color | Type | Part numbers |
|----------|--------------------|--------------------|
| Grey | M 300/42 | 0115 251.26 |
| Beige V0 | M 300/42.V0 | 0195 251.27 |

Characteristics

| Wire size | Wire size | | | |
|----------------------|------------------------|------------------------|-----------|-----|
| | DIN | NFC | UL | CSA |
| Lug | | | | |
| Bar | | | | |
| Wire-clamp | 35-120 mm ² | 35-120 mm ² | 2-250 MCM | |
| | IEC | IEC | | |
| Voltage | Voltage | | | |
| | DIN | NFC | UL | CSA |
| V~ Without partition | 1000 | 1000 | 600 | |
| V~ With partition | 1000 | 1000 | 600 | |
| Pulse | 8 kV | 8 kV | | |
| Pollution degree | 3 | 3 | | |
| Current | Current | | | |
| | DIN | NFC | UL | CSA |
| Rated | 232 A | 232 A | 255 A | |

Characteristics

| Wire size | Wire size | | | |
|----------------------|------------------------|------------------------|----------|-----|
| | DIN | NFC | UL | CSA |
| Lug | | | | |
| Bar | | | | |
| Wire-clamp | 70-300 mm ² | 70-300 mm ² | 1-00 AWG | |
| | IEC | IEC | | |
| Voltage | Voltage | | | |
| | DIN | NFC | UL | CSA |
| V~ Without partition | 1000 | 1000 | | |
| V~ With partition | 1000 | 1000 | | |
| Pulse | 8 kV | 8 kV | | |
| Pollution degree | 3 | 3 | | |
| Current | Current | | | |
| | DIN | NFC | UL | CSA |
| Rated | 415 A | 415 A | 175 A | |

| Wire-size | Wire-size | | | |
|--------------------|--------------------|--------------------|---------------|-----------------------|
| | DIN | NFC | UL | CSA |
| Rated | 95 mm ² | 95 mm ² | 250 MCM | |
| | Lug | Central bolt | Wire-clamp | Wire stripping length |
| Recommended wrench | | | H 13 mm | 28 mm 1.10" |
| Recommended torque | | | 6 Nm 52 lb.in | |

| Wire-size | Wire-size | | | |
|--------------------|---------------------|---------------------|----------------|-----------------------|
| | DIN | NFC | UL | CSA |
| Rated | 240 mm ² | 240 mm ² | 00 AWG | |
| | Lug | Central bolt | Wire-clamp | Wire stripping length |
| Recommended wrench | | | H 16 mm | 40 mm 1.58" |
| Recommended torque | | | 10 Nm 87 lb.in | |

| Type | Part numbers |
|---------------|-------------------------------|
| BAEH | th. 12 mm 0116 934.04 |
| BADH | th. 12 mm 0116 900.27 |
| BAMH | th. 9,1 mm 0114 836.00 |
| ECP35 | 0113 691.16 |
| CPP351 | 1 block 0168 206.17 |
| CPP352 | 2 blocks 0168 205.16 |
| CPP353 | 3 blocks 0163 418.26 |
| CPU35 | 0116 514.07 |

| Type | Part numbers |
|---------------|-------------------------------|
| BAEH | th. 12 mm 0116 934.04 |
| BADH | th. 12 mm 0116 900.27 |
| BAMH | th. 9,1 mm 0114 836.00 |
| ECP42 | 0113 692.17 |
| CPP421 | 1 block 0168 208.21 |
| CPP422 | 2 blocks 0168 207.10 |
| CPP423 | 3 blocks 0163 424.14 |
| CPU42 | 0116 515.00 |

(15) for ECP and wire-clamp (6) for CPU

(15) for ECP and wire-clamp (6) for CPU

Power terminal blocks

Type II

DIN 1 - DIN 3

DIN mounted power blocks offer the flexibility and safety associated with other Entrelec blocks:

- with 2 screws
- with 2 wire clamps
- with 1 screw - 1 wire clamp

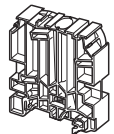
The use of some accessories may decrease the block's voltage rating. For more information, consult us.

| | | | | |
|------|--|---------------|--------------|--------------------|
| Rail | | 32 x 15 | PR1Z2 | 0163 050.04 |
| Rail | | 35 x 7,5 x 1 | PR3 | 0164 800.03 |
| Rail | | 35 x 15 x 2,3 | PR4 | 0168 500.12 |
| Rail | | 35 x 15 x 1,5 | PR5 | 0168 700.22 |

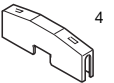
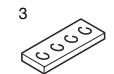
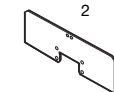
Other rails: See Accessories section

Notes

Accessories



- 1 End stop (other end stops: see Accessories)
- 2 Partition
- 3 Jumper bar 2 poles
3 poles
- 4 Protective cover

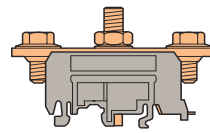


R See section on markers
Marking method

M 35/26.EE

Spacing 26 mm (1.02")

Partition required
see size on page 298



1 stud 15 x 3mm / .59"x.12" with
- 2 screws HM6 for lug or bar
- 1 central bolt HM6 for transversal connection



| Color | Type | Part numbers |
|----------|----------------------|--------------------|
| Grey | M 35/26.EE | 0115 151.12 |
| Beige V0 | M 35/26.EE.V0 | 0195 151.13 |

Characteristics

| Wire size | Wire size | | | |
|----------------------|------------------------|----------------------|--------------------|-----------------------|
| | DIN | NFC | UL | CSA |
| Lug | 2,5-35 mm ² | 4-35 mm ² | 10-2 AWG | 4 AWG max. |
| Bar | 15 x 3 mm .59" x .12" | | | |
| Wire-clamp | | | | |
| | IEC | IEC | | |
| Voltage | Voltage | | | |
| | DIN | NFC | UL | CSA |
| V~ Without partition | | | | |
| V~ With partition | 1000 | 1000 | 600 | 600 |
| Pulse | 12 kV | 12 kV | | |
| Pollution degree | 3 | 3 | | |
| Current | Current | | | |
| | DIN | NFC | | |
| Rated | 101 A | 101 A | 115 A | 125 A |
| Wire size | Wire size | | | |
| | Rated / Gauge | 25 mm ² | 25 mm ² | 2 AWG |
| | Lug | central bolt | Wire clamp | Wire stripping length |
| Recommended wrench | H 10 mm | H 10 mm | | |
| Recommended torque | 4,5 Nm 39 lb.in | 4,5 Nm 39 lb.in | | |

| Type | Part numbers |
|--------------|-------------------------------|
| BAEH | th. 12 mm 0116 934.04 |
| BADH | th. 12 mm 0116 900.27 |
| BAMH | th. 9,1 mm 0114 836.00 |
| ECS26 | 0168 838.00 |
| BJS26 | (15 x 3) 0168 864.02 |
| BJS26 | (15 x 3) 0168 865.03 |
| CPU26 | 0114 882.07 |

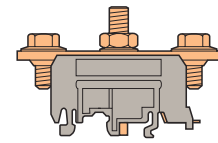
| Type | Part numbers |
|--------------|-------------------------------|
| BAEH | th. 12 mm 0116 934.04 |
| BADH | th. 12 mm 0116 900.27 |
| BAMH | th. 9,1 mm 0114 836.00 |
| ECS26 | 0168 838.00 |
| BJS31 | (20 x 3) 0168 866.04 |
| BJS31 | (20 x 3) 0168 867.05 |
| CPU31 | 0114 996.01 |

(15) for ECS (6) for CPU

M 70/31.EE

Spacing 31 mm (1.22")

Partition required
see size on page 298



1 stud 20 x 3mm / .78"x.12" with
- 2 screws HM8 for lug or bar
- 1 central bolt HM8 for transversal connection



| Color | Type | Part numbers |
|----------|----------------------|--------------------|
| Grey | M 70/31.EE | 0115 154.15 |
| Beige V0 | M 70/31.EE.V0 | 0195 154.16 |

Characteristics

| Wire size | Wire size | | | |
|----------------------|------------------------|----------------------|--------------------|-----------------------|
| | DIN | NFC | UL | CSA |
| Lug | 2,5-70 mm ² | 6-70 mm ² | 4-00 AWG | 0 AWG max. |
| Bar | 20 x 3 mm .78" x .12" | | | |
| Wire-clamp | | | | |
| | IEC | IEC | | |
| Voltage | Voltage | | | |
| | DIN | NFC | UL | CSA |
| V~ Without partition | | | | |
| V~ With partition | 1000 | 1000 | 600 | 600 |
| Pulse | 12 kV | 12 kV | | |
| Pollution degree | 3 | 3 | | |
| Current | Current | | | |
| | DIN | NFC | | |
| Rated | 150 A | 150 A | 175 A | 200 A |
| Wire size | Wire size | | | |
| | Rated/gauge | 50 mm ² | 50 mm ² | 00 AWG |
| | Lug | central bolt | Wire clamp | Wire stripping length |
| Recommended wrench | H 13 mm | H 13 mm | | |
| Recommended torque | 6 Nm 52 lb.in | 6 Nm 52 lb.in | | |

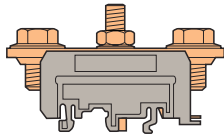
| Type | Part numbers |
|--------------|-------------------------------|
| BAEH | th. 12 mm 0116 934.04 |
| BADH | th. 12 mm 0116 900.27 |
| BAMH | th. 9,1 mm 0114 836.00 |
| ECS26 | 0168 838.00 |
| BJS31 | (20 x 3) 0168 866.04 |
| BJS31 | (20 x 3) 0168 867.05 |
| CPU31 | 0114 996.01 |

| Type | Part numbers |
|--------------|-------------------------------|
| BAEH | th. 12 mm 0116 934.04 |
| BADH | th. 12 mm 0116 900.27 |
| BAMH | th. 9,1 mm 0114 836.00 |
| ECS26 | 0168 838.00 |
| BJS31 | (20 x 3) 0168 866.04 |
| BJS31 | (20 x 3) 0168 867.05 |
| CPU31 | 0114 996.01 |

(15) for ECS (6) for CPU

M 150/35.EE

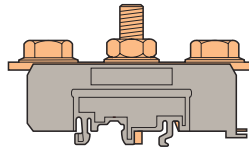
Spacing 35 mm (1.38")
Partition required
see size on page 298



1 stud 25 x 3,15mm / 1"x.124" with
- 2 screws HM10 for lug or bar
- 1 central bolt HM8 for transversal connection

M 300/42.EE1

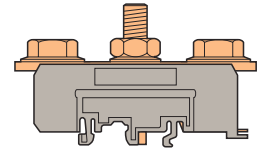
Spacing 42 mm (1.65")
Partition required
see size on page 298



1 stud 31,5 x 3,15mm / 1.24"x.124" with
- 2 screws HM10 for lug or bar
- 1 central bolt HM10 for transversal connection

M 185/42.EE

Spacing 42 mm (1.65")
Partition required
see size on page 298



1 stud 31,5 x 3,15mm / 1.24"x.124" with
- 2 screws HM12 for lug or bar
- 1 central bolt HM10 for transversal connection



| Color | Type | Part number |
|-------|-------------|-------------|
| Grey | M 150/35.EE | 0115 156.17 |



| Color | Type | Part number |
|-------|--------------|-------------|
| Grey | M 300/42.EE1 | 0115 195.07 |



| Color | Type | Part number |
|-------|-------------|-------------|
| Grey | M 185/42.EE | 0115 159.22 |

Characteristics

| Wire size | Wire size | | | |
|----------------------|-----------------------|-----------------------|-----------------------|-------------|
| | DIN | NFC | UL | CSA |
| Lug | | | | |
| Bar | 6-120 mm ² | 10-95 mm ² | 14-250 MCM | 000 AWG max |
| Wire-clamp | | 25 x 3,15 mm | 1" x .124" | |
| Voltage | Voltage | | | |
| | IEC | IEC | | |
| V~ Without partition | | | | |
| V~ With partition | 1000 | 1000 | 600 | 600 |
| Pulse | 12 kV | 12 kV | | |
| Pollution degree | 3 | 3 | | |
| Current | Current | | | |
| | DIN | NFC | | |
| Rated | 232 A | 192 A | 255 A | 270 A |
| Wire-size | Wire-size | | | |
| | Rated | 120 mm ² | 120 mm ² | 350 MCM |
| Lug | Central bolt | Wire-clamp | Wire stripping length | |
| H 16 mm | H 13 mm | | | |
| 10 Nm 87 lb.in | 6 Nm 52 lb.in | | | |

Characteristics

| Wire size | Wire size | | | |
|----------------------|------------------------------|------------------------|-----------------------|---------|
| | DIN | NFC | UL | CSA |
| Lug | 6-150 mm ² | 10-150 mm ² | 8-350 MCM | 250 MCM |
| Bar | 31,5 x 3,15 mm 1.24" x .124" | | | |
| Wire-clamp | | | | |
| Voltage | Voltage | | | |
| | IEC | IEC | | |
| V~ Without partition | | | | |
| V~ With partition | 1000 | 1000 | 600 | 600 |
| Pulse | 8 kV | 8 kV | | |
| Pollution degree | 3 | 3 | | |
| Current | Current | | | |
| | DIN | NFC | | |
| Rated | 269 A | 269 A | 310 A | 310 A |
| Wire-size | Wire-size | | | |
| | Rated | 120 mm ² | 120 mm ² | 300 MCM |
| Lug | Central bolt | Wire-clamp | Wire stripping length | |
| H 16 mm | H 16 mm | | | |
| 10 Nm 87 lb.in | 10 Nm 87 lb.in | | | |

Characteristics

| Wire size | Wire size | | | |
|----------------------|------------------------------|------------------------|-----------------------|---------|
| | DIN | NFC | UL | CSA |
| Lug | 6-150 mm ² | 10-150 mm ² | 14-300 MCM | 250 MCM |
| Bar | 31,5 x 3,15 mm 1.24" x .124" | | | |
| Wire-clamp | | | | |
| Voltage | Voltage | | | |
| | IEC | IEC | | |
| V~ Without partition | | | | |
| V~ With partition | 1000 | 1000 | 600 | 600 |
| Pulse | 12 kV | 12 kV | | |
| Pollution degree | 3 | 3 | | |
| Current | Current | | | |
| | DIN | NFC | | |
| Rated | 269 A | 269 A | 285 A | 310 A |
| Wire-size | Wire-size | | | |
| | Rated | 120 mm ² | 120 mm ² | 300 MCM |
| Lug | Central bolt | Wire-clamp | Wire stripping length | |
| H 18 mm | H 18 mm | | | |
| 15,5 Nm 134 lb.in | 10 Nm 87 lb.in | | | |

| Type | Part numbers | | |
|-------|--------------|-------------|-------------|
| BAEH | | th. 12 mm | 0116 934.04 |
| BADH | | th. 12 mm | 0116 900.27 |
| BAMH | | th. 9,1 mm | 0114 836.00 |
| ECS35 | | | 0168 841.03 |
| BJS35 | | (25 x 3,15) | 0168 868.16 |
| BJS35 | | (25 x 3,15) | 0168 869.17 |
| CPU35 | | | 0116 514.07 |

| Type | Part numbers | | |
|--------|--------------|---------------|-------------|
| BAEH | | th. 12 mm | 0116 934.04 |
| BADH | | th. 12 mm | 0116 900.27 |
| BAMH | | th. 9,1 mm | 0114 836.00 |
| ECS42 | | | 0168 843.05 |
| BJS421 | | (31,5 x 3,15) | 0168 870.14 |
| BJS421 | | (31,5 x 3,15) | 0168 871.01 |
| CPU42 | | | 0116 515.00 |

| Type | Part numbers | | |
|--------|--------------|---------------|-------------|
| BAEH | | th. 12 mm | 0116 934.04 |
| BADH | | th. 12 mm | 0116 900.27 |
| BAMH | | th. 9,1 mm | 0114 836.00 |
| ECS42 | | | 0168 843.05 |
| BJS421 | | (31,5 x 3,15) | 0168 870.14 |
| BJS421 | | (31,5 x 3,15) | 0168 871.01 |
| CPU42 | | | 0116 515.00 |

15 for ECS 6 for CPU

15 for ECS 6 for CPU

15 for ECS 6 for CPU

Power terminal blocks

Type II



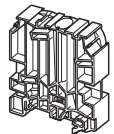
DIN 1 - DIN 3

| | | | | |
|------|--|---------------|--------------|--------------------|
| Rail | | 32 x 15 | PR1Z2 | 0163 050.04 |
| Rail | | 35 x 7,5 x 1 | PR3 | 0164 800.03 |
| Rail | | 35 x 15 x 2,3 | PR4 | 0168 500.12 |
| Rail | | 35 x 15 x 1,5 | PR5 | 0168 700.22 |

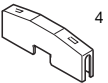
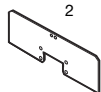
Other rails: See Accessories section

Notes

Accessories



- End stop (other end stops: see Accessories)
- Partition
- Jumper bar 2 poles
3 poles
- Protective cover

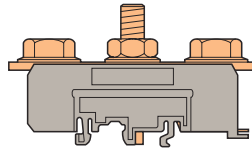


R See section on markers
Marking method

M 300/42.EE

Spacing 42 mm (1.65")

Partition required
see size on page 298



1 stud 31,5 x 5mm / 1.24"x.20" with
- 2 screws HM12 for lug or bar
- 1 central bolt HM10 for transversal connection



| Color | Type | Part number |
|-------|-------------|-------------|
| Grey | M 300/42.EE | 0115 160.27 |

Characteristics

Wire size

| | DIN | NFC | UL | CSA |
|------------|-----------------------|-------------|--------------|---------|
| Lug | 6-300 mm ² | | 14-400 MCM | 500 MCM |
| Bar | | 31,5 x 5 mm | 1.24" x .20" | |
| Wire-clamp | | | | |

Voltage

| V~= | Without partition | With partition | | |
|------------------|-------------------|----------------|-----|-----|
| | 1000 | 1000 | 600 | 600 |
| Pulse | 8 kV | 8 kV | | |
| Pollution degree | 3 | 3 | | |

Current

| Rated | DIN | NFC | | |
|-------|-------|-----|-------|-------|
| Rated | 353 A | | 335 A | 550 A |

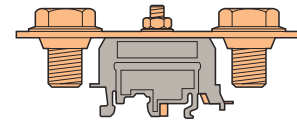
Wire size

| Rated / Gauge | 185 mm ² | 400 MCM | 500 MCM |
|-----------------------|---------------------|----------------|---------|
| Lug | H 18 mm | | |
| Central bolt | H 18 mm | | |
| Wire clamp | | | |
| Wire stripping length | | | |
| Recommended wrench | H 18 mm | | |
| Recommended torque | 15,5 Nm 134 lb.in | 10 Nm 87 lb.in | |

M 400/52.EE

Spacing 52 mm (2.05")

Partition required
see size on page 298



1 stud 40 x 5mm / 1.57"x.20" with
- 2 screws HM16 for lug or bar
- 2 central bolts HM6 for transversal connection



| Color | Type | Part number |
|-------|-------------|-------------|
| Grey | M 400/52.EE | 0115 163.16 |

Characteristics

Wire size

| | DIN | NFC | UL | CSA |
|------------|------------------------|------------------------|--------------|---------|
| Lug | 25-400 mm ² | 95-300 mm ² | 00-500 MCM | 500 MCM |
| Bar | | 40 x 5 mm | 1.57" x .20" | |
| Wire-clamp | | | | |

Voltage

| V~= | Without partition | With partition | | |
|------------------|-------------------|----------------|-----|-----|
| | 1000 | 1000 | 600 | 600 |
| Pulse | 8 kV | 8 kV | | |
| Pollution degree | 3 | 3 | | |

Current

| Rated | DIN | NFC | | |
|-------|-------|-------|-------|-------|
| Rated | 415 A | 415 A | 400 A | 550 A |

Wire size

| Rated/gauge | 240 mm ² | 240 mm ² | 500 MCM | 500 MCM |
|-----------------------|---------------------|---------------------|---------|---------|
| Lug | H 24 mm | | | |
| Central bolt | H 10 mm | | | |
| Wire clamp | | | | |
| Wire stripping length | | | | |
| Recommended wrench | H 24 mm | H 10 mm | | |
| Recommended torque | 30 Nm 260 lb.in | 4,5 Nm 39 lb.in | | |

| Type | Part numbers |
|-------------------|-------------------------------|
| BAEH | th. 12 mm 0116 934.04 |
| BADH | th. 12 mm 0116 900.27 |
| BAMH | th. 9,1 mm 0114 836.00 |
| ECS421 | 0168 844.06 |
| BJS422 (31,5 x 5) | 0168 872.02 |
| BJS422 (31,5 x 5) | 0168 873.03 |
| CPU42 | 0116 515.00 |

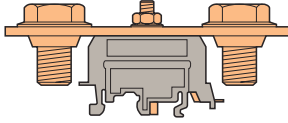
| Type | Part numbers |
|-----------------|-------------------------------|
| BAEH | th. 12 mm 0116 934.04 |
| BADH | th. 12 mm 0116 900.27 |
| BAMH | th. 9,1 mm 0114 836.00 |
| ECS52 | 0168 840.16 |
| BJS521 (40 x 5) | 0168 874.04 |
| BJS521 (40 x 5) | 0168 875.05 |
| CPU52 | 0116 599.15 |

(15) for ECS (6) for CPU

(15) for ECS (6) for CPU

M 400/52.EE1

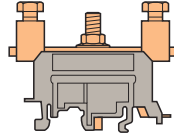
Spacing 52 mm (2.05")
 Partition required
 see size on page 298



1 stud 40 x 6mm / 1.57"x.24" with
 - 2 screws HM16 for lug or bar
 - 2 central bolts HM6 for transversal connection

M 35/26

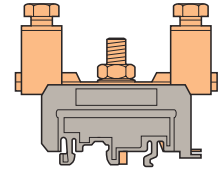
Spacing 26 mm (1.02")
 Partition required
 see size on page 298



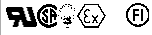
1 stud 15 x 3mm / .59"x.12" with
 - 2 wire-clamps with screw HM6
 - 1 central bolt HM6 for transversal connection

M 95/35

Spacing 35 mm (1.38")
 Partition required
 see size on page 298



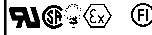
1 stud 25 x 3,15mm / 1"x.124" with
 - 2 wire-clamps with screw HM8
 - 1 central bolt HM8 for transversal connection



| Color | Type | Part number |
|-------|--------------|-------------|
| Grey | M 400/52.EE1 | 0115 164.17 |



| Color | Type | Part number |
|-------|---------|-------------|
| Grey | M 35/26 | 0115 152.13 |



| Color | Type | Part number |
|-------|---------|-------------|
| Grey | M 95/35 | 0115 157.10 |

Characteristics

| Wire size | DIN | NFC | UL | CSA |
|-------------------|----------------------|------------------------|--------------|------------|
| | Lug | 25-400 mm ² | | 00-500 MCM |
| Bar | | 40 x 6 mm | 1.57" x .24" | |
| Wire-clamp | | | | |
| Voltage | IEC | IEC | | |
| | V~ Without partition | | | |
| V~ With partition | 1000 | 1000 | 600 | 600 |
| Pulse | 8 kV | 8 kV | | |
| Pollution degree | 3 | 3 | | |
| Current | DIN | NFC | | |
| | Rated | 520 A | 400 A | 630 A |

Characteristics

| Wire size | DIN | NFC | UL | CSA |
|-------------------|------------------------|------------------------|----------|-------------|
| | Lug | | | |
| Bar | | | | |
| Wire-clamp | 0,5-35 mm ² | 0,5-35 mm ² | 10-2 AWG | 4-10 AWG |
| Voltage | IEC | IEC | | |
| | V~ Without partition | | | |
| V~ With partition | 1000 | 1000 | 600 | 600 |
| Pulse | 12 kV | 12 kV | | |
| Pollution degree | 3 | 3 | | |
| Current | DIN | NFC | | |
| | Rated | 101 A | 101 A | 115 A 125 A |

Characteristics

| Wire size | DIN | NFC | UL | CSA |
|-------------------|-----------------------|-----------------------|-----------|-------------|
| | Lug | | | |
| Bar | | | | |
| Wire-clamp | 35-95 mm ² | 35-95 mm ² | 2-4/0 AWG | 2-000 AWG |
| Voltage | IEC | IEC | | |
| | V~ Without partition | | | |
| V~ With partition | 1000 | 1000 | 600 | 600 |
| Pulse | 12 kV | 12 kV | | |
| Pollution degree | 3 | 3 | | |
| Current | DIN | NFC | | |
| | Rated | 150 A | 150 A | 230 A 270 A |

| Wire-size | | | |
|-----------------|---------------------|------------|-----------------------|
| Rated | 300 mm ² | 500 MCM | 600 MCM |
| Lug | Central bolt | Wire-clamp | Wire stripping length |
| H 24 mm | H 10 mm | | |
| 30 Nm 260 lb.in | 4,5 Nm 39 lb.in | | |

| Wire-size | | | |
|-----------|--------------------|--------------------|-----------------------|
| Rated | 25 mm ² | 25 mm ² | 2 AWG 4 AWG |
| Lug | Central bolt | Wire-clamp | Wire stripping length |
| | H 10 mm | H 10 mm | 18 mm .71" |
| | 4,5 Nm 39 lb.in | 4,5 Nm 39 lb.in | |

| Wire-size | | | |
|-----------|--------------------|--------------------|-----------------------|
| Rated | 50 mm ² | 50 mm ² | 0000 AWG 000 AWG |
| Lug | Central bolt | Wire-clamp | Wire stripping length |
| | H 13 mm | H 13 mm | 24 mm .95" |
| | 6 Nm 52 lb.in | 6 Nm 52 lb.in | |

| Type | Part numbers | | |
|--------|--------------|-------------|--|
| BAEH | th. 12 mm | 0116 934.04 | |
| BADH | th. 12 mm | 0116 900.27 | |
| BAMH | th. 9,1 mm | 0114 836.00 | |
| ECS52 | | 0168 840.16 | |
| BJS522 | (40 x 6) | 0168 876.06 | |
| BJS522 | (40 x 6) | 0168 877.07 | |
| CPU52 | | 0116 599.15 | |

| Type | Part numbers | | |
|-------|--------------|-------------|--|
| BAEH | th. 12 mm | 0116 934.04 | |
| BADH | th. 12 mm | 0116 900.27 | |
| BAMH | th. 9,1 mm | 0114 836.00 | |
| ECS26 | | 0168 838.00 | |
| BJS26 | (15 x 3) | 0168 864.02 | |
| BJS26 | (15 x 3) | 0168 865.03 | |
| CPU26 | | 0114 882.07 | |

| Type | Part numbers | | |
|--------|--------------|-------------|--|
| BAEH | th. 12 mm | 0116 934.04 | |
| BADH | th. 12 mm | 0116 900.27 | |
| BAMH | th. 9,1 mm | 0114 836.00 | |
| ECS351 | | 0168 842.04 | |
| BJS35 | (25 x 3,15) | 0168 868.16 | |
| BJS35 | (25 x 3,15) | 0168 869.17 | |
| CPU35 | | 0116 514.07 | |

15 for ECS 6 for CPU

15 for ECS 6 for CPU

15 for ECS 6 for CPU

Power terminal blocks

Type II



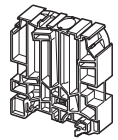
DIN 1 - DIN 3

| | | | | |
|------|--|---------------|--------------|--------------------|
| Rail | | 32 x 15 | PR1Z2 | 0163 050.04 |
| Rail | | 35 x 7,5 x 1 | PR3 | 0164 800.03 |
| Rail | | 35 x 15 x 2,3 | PR4 | 0168 500.12 |
| Rail | | 35 x 15 x 1,5 | PR5 | 0168 700.22 |

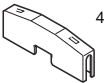
Other rails: See Accessories section

Notes

Accessories



- End stop (other end stops: see Accessories)
- Partition
- Jumper bar 2 poles
3 poles
- Protective cover



R See section on markers

Marking

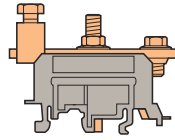
15 for ECS 6 for CPU

method

M 35/26.AE

Spacing 26 mm (1.02")

Partition required
see size on page 298



- 1 stud 15 x 3mm / .59"x.12" with
- 1 wire clamp with HM6 screw
- 1 screw HM6
- 1 central bolt HM6 for transversal connection



| Color | Type | Part number |
|-------|------------|-------------|
| Grey | M 35/26.AE | 0115 153.14 |

Characteristics

Wire size

| | DIN | NFC | UL | CSA |
|------------|------------------------|----------------------|-------------|----------|
| Lug | 2,5-35 mm ² | 4-35 mm ² | 10-2 AWG | 10-4 AWG |
| Bar | | 15 x 3 mm | .59" x .12" | |
| Wire-clamp | 0,5-35 mm ² | 4-35 mm ² | 10-2 AWG | 10-4 AWG |

Voltage

| V~ = | Without partition | With partition |
|-------|-------------------|----------------|
| 1000 | 1000 | 600 |
| Pulse | 12 kV | 12 kV |

Current

| Rated | DIN | NFC | UL | CSA |
|-------|-------|-------|-------|-------|
| Rated | 101 A | 101 A | 115 A | 125 A |

Wire size

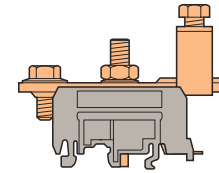
| Rated / Gauge | 25 mm ² | 25 mm ² | 2 AWG | 4 AWG |
|-----------------------|--------------------|--------------------|-----------------|------------|
| Lug | H 10 mm | H 10 mm | H 10 mm | 18 mm .71" |
| Central bolt | 4,5 Nm 39 lb.in | 4,5 Nm 39 lb.in | 4,5 Nm 39 lb.in | |
| Wire clamp | | | | |
| Wire stripping length | | | | |

| | | | | |
|--------------------|-----------------|-----------------|-----------------|------------|
| Recommended wrench | H 10 mm | H 10 mm | H 10 mm | 18 mm .71" |
| Recommended torque | 4,5 Nm 39 lb.in | 4,5 Nm 39 lb.in | 4,5 Nm 39 lb.in | |

M 70/31.AE

Spacing 31 mm (1.22")

Partition required
see size on page 298



- 1 stud 30 x 3mm / .78"x.12" with
- 1 wire clamp with HM8 screw
- 1 screw HM8
- 1 central bolt HM8 for transversal connection



| Color | Type | Part number |
|-------|------------|-------------|
| Grey | M 70/31.AE | 0115 155.16 |

Characteristics

Wire size

| | DIN | NFC | UL | CSA |
|------------|------------------------|-----------------------|-------------|------------|
| Lug | 2,5-70 mm ² | 6-70 mm ² | 4-00 AWG | 0 AWG Max. |
| Bar | | 20 x 3 mm | .78" x .12" | |
| Wire-clamp | 25-70 mm ² | 25-70 mm ² | | 6-0 AWG |

Voltage

| V~ = | Without partition | With partition |
|-------|-------------------|----------------|
| 1000 | 1000 | 600 |
| Pulse | 12 kV | 12 kV |

Current

| Rated | DIN | NFC | UL | CSA |
|-------|-------|-------|-------|-------|
| Rated | 150 A | 150 A | 175 A | 200 A |

Wire size

| Rated/gauge | 50 mm ² | 50 mm ² | 00 AWG | 0 AWG |
|-----------------------|--------------------|--------------------|---------------|------------|
| Lug | H 13 mm | H 13 mm | H 13 mm | 22 mm .87" |
| Central bolt | 6 Nm 52 lb.in | 6 Nm 52 lb.in | 6 Nm 52 lb.in | |
| Wire clamp | | | | |
| Wire stripping length | | | | |

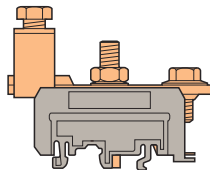
| | | | | |
|--------------------|---------------|---------------|---------------|------------|
| Recommended wrench | H 13 mm | H 13 mm | H 13 mm | 22 mm .87" |
| Recommended torque | 6 Nm 52 lb.in | 6 Nm 52 lb.in | 6 Nm 52 lb.in | |

| Type | Part numbers |
|-------|-------------------------------|
| BAEH | th. 12 mm 0116 934.04 |
| BADH | th. 12 mm 0116 900.27 |
| BAMH | th. 9,1 mm 0114 836.00 |
| ECS26 | 0168 838.00 |
| BJS26 | (15 x 3) 0168 864.02 |
| BJS26 | (15 x 3) 0168 865.03 |
| CPU26 | 0114 882.07 |

| Type | Part numbers |
|-------|-------------------------------|
| BAEH | th. 12 mm 0116 934.04 |
| BADH | th. 12 mm 0116 900.27 |
| BAMH | th. 9,1 mm 0114 836.00 |
| ECS31 | 0168 839.01 |
| BJS31 | (20 x 3) 0168 866.04 |
| BJS31 | (20 x 3) 0168 867.05 |
| CPU31 | 0114 996.01 |

M 120/35.AE

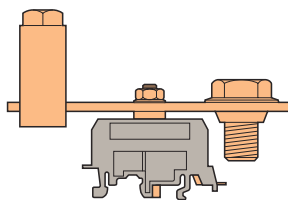
Spacing 35 mm (1.38")
see size on page 298



- 1 stud 25 x 3,15 mm / 1" x .124" with
- 1 wire-clamp with screw HM8
- 1 screw HM8 for lug or bar
- 1 central bolt HM8 for transversal connection

M 400/52.AE

Spacing 52 mm (2.05")
see size on page 298



- 1 stud 40 x 5 mm / 1.57" x .20" with
- 1 wire-clamp with screw HM10
- 1 screw HM16 for lug or bar
- 2 central bolts HM6 for transversal connection



| Color | Type | Part number |
|-------|-------------|-------------|
| Grey | M 120/35.AE | 0115 158.21 |

| Color | Type | Part number |
|-------|-------------|-------------|
| Grey | M 400/52.AE | 0115 199.13 |

| Color | Type | Part number |
|-------|------|-------------|
|-------|------|-------------|

Characteristics

| Wire size | DIN | NFC | UL | CSA |
|------------------|------------------------|------------------------|----------------------|-------------|
| | Lug | 2,5-70 mm ² | 6-95 mm ² | 2-250 MCM |
| Bar | 25 x 3,15 mm | | 1" x .124" | |
| Voltage | IEC | IEC | | |
| | V- = Without partition | | | |
| | 1000 | 1000 | 600 | 600 |
| Pulse | 12 kV | 12 kV | | |
| Pollution degree | 3 | 3 | | |
| Current | DIN | NFC | | |
| | Rated | 150 A | 150 A | 255 A 270 A |

Characteristics

| Wire size | DIN | NFC | UL | CSA |
|------------------|------------------------|------------------------|------------------------|-------------|
| | Lug | 25-400 mm ² | 95-300 mm ² | 00-500 MCM |
| Bar | 40 x 5 mm | | 1.57" x .20" | |
| Voltage | IEC | IEC | | |
| | V- = Without partition | | | |
| | 1000 | 1000 | 600 | 600 |
| Pulse | 8 kV | 8 kV | | |
| Pollution degree | 3 | 3 | | |
| Current | DIN | NFC | | |
| | Rated | 353 A | 353 A | 400 A 400 A |

Characteristics

| Wire size | DIN | NFC | UL | CSA |
|------------------|------------------------|-----|----|-----|
| | Lug | | | |
| Bar | | | | |
| Voltage | IEC | IEC | | |
| | V- = Without partition | | | |
| | | | | |
| Pulse | | | | |
| Pollution degree | | | | |
| Current | DIN | NFC | | |
| | Rated | | | |

| Wire-size | | | | |
|---------------|--------------------|--------------------|-----------------------|---------|
| Rated | 50 mm ² | 50 mm ² | 250 MCM | 000 AWG |
| Lug | Central bolt | Wire-clamp | Wire stripping length | |
| H 13 mm | H 13 mm | H 13 mm | 24 mm .95" | |
| 6 Nm 52 lb.in | 6 Nm 52 lb.in | 6 Nm 52 lb.in | | |

| Wire-size | | | | |
|-----------------|---------------------|---------------------|-----------------------|---------|
| Rated | 185 mm ² | 185 mm ² | 500 MCM | 500 MCM |
| Lug | Central bolt | Wire-clamp | Wire stripping length | |
| H 24 mm | H 10 mm | H 16 mm | 30 mm 1.18" | |
| 30 Nm 260 lb.in | 4,5 Nm 39 lb.in | 10 Nm 87 lb.in | | |

| Wire-size | | | | |
|-----------|--------------|------------|-----------------------|--|
| Rated | | | | |
| Lug | Central bolt | Wire-clamp | Wire stripping length | |
| | | | | |
| | | | | |

| Type | | Part numbers |
|--------|-------------|------------------------|
| BAEH | | th. 12 mm 0116 934.04 |
| BADH | | th. 12 mm 0116 900.27 |
| BAMH | | th. 9,1 mm 0114 836.00 |
| ECS351 | | 0168 842.04 |
| BJS35 | (25 x 3,15) | 0168 868.16 |
| BJS35 | (25 x 3,15) | 0168 869.17 |
| CPU35 | | 0116 514.07 |

| Type | | Part numbers |
|--------|----------|------------------------|
| BAEH | | th. 12 mm 0116 934.04 |
| BADH | | th. 12 mm 0116 900.27 |
| BAMH | | th. 9,1 mm 0114 836.00 |
| ECS31 | | 0168 839.01 |
| BJS521 | (40 x 5) | 0168 874.04 |
| BJS521 | (40 x 5) | 0168 875.05 |
| CPU52 | | 0116 599.15 |

| Type | Part numbers |
|------|--------------|
|------|--------------|

15 for ECS 6 for CPU

15 for ECS 6 for CPU

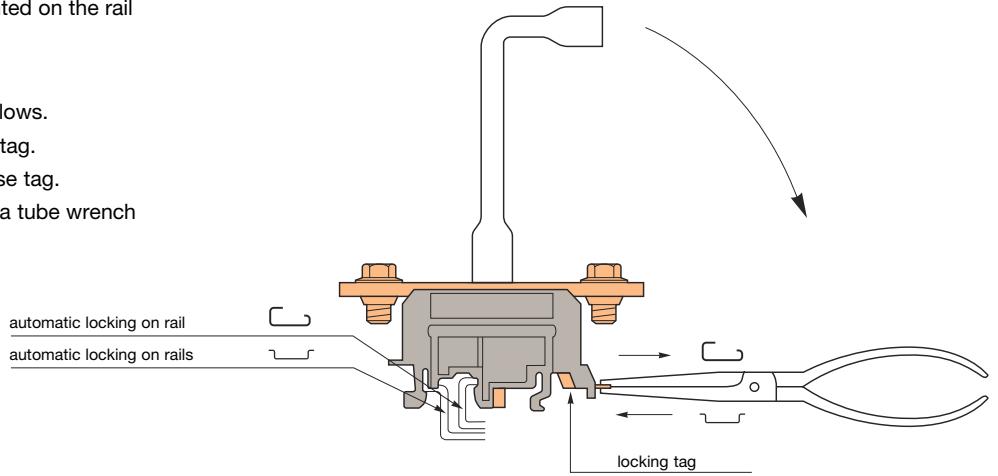
ENTRELEC's "positive retention" lock foot

Mounting

The locking action is automatic when block is mounted on the rail

Unlocking

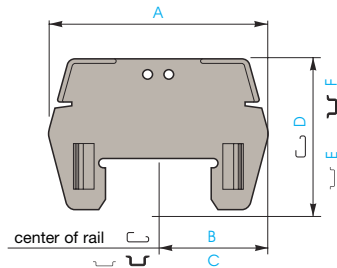
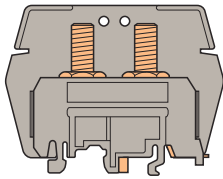
- Pull or push on the locking tag, using pliers as follows.
 blocks mounted on DIN 1 rail: pull on the release tag.
 blocks mounted on DIN 3 rails: push on the release tag.
- Remove the block from the rail by rotation, using a tube wrench while maintaining the action of the pliers.



Space requirements of blocks with their partition or protective cover.

Partitions for TYPE I blocks

Marking method 15

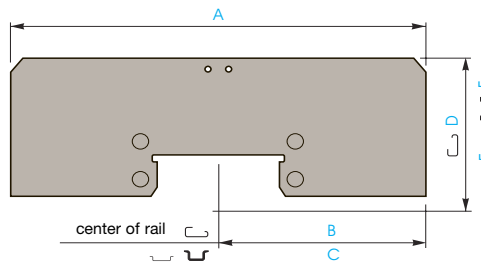
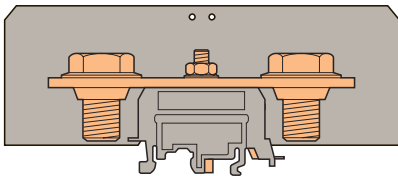


The spacing of the terminal blocks is not changed when partitions are used. All dimensions in mm.

| Type | Part number | Spac. | A | B | C | D | E | F |
|-------|-------------|-------|-----|------|------|-------|------|-----|
| ECP26 | 0113 689.24 | 26 | 76 | 35,5 | 40,5 | 67,5 | 62,5 | 70 |
| ECP31 | 0113 690.21 | 31 | 84 | 39,5 | 44,5 | 72,5 | 67,5 | 75 |
| ECP35 | 0113 691.16 | 35 | 90 | 42,5 | 47,5 | 82,5 | 77,5 | 85 |
| ECP42 | 0113 692.17 | 42 | 116 | 55,5 | 60,5 | 104,5 | 99,5 | 107 |

Partitions for TYPE II blocks

Marking method 15

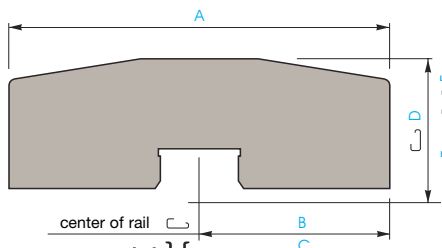
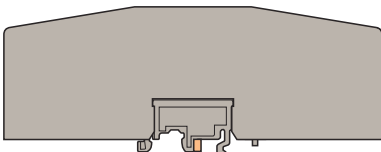


The spacing of the terminal blocks is not changed when partitions are used. All dimensions in mm.

| Type | Part number | A | B | C | D | E | F |
|--------|-------------|-----|-------|-------|------|------|-----|
| ECS26 | 0168 838.00 | 170 | 82,5 | 87,5 | 72,5 | 67,5 | 75 |
| ECS35 | 0168 841.03 | 170 | 82,5 | 87,5 | 72,5 | 67,5 | 75 |
| ECS42 | 0168 843.05 | 170 | 82,5 | 87,5 | 72,5 | 67,5 | 75 |
| ECS421 | 0168 844.06 | 260 | 127,5 | 132,5 | 82,5 | 77,5 | 85 |
| ECS52 | 0168 840.16 | 260 | 127,5 | 132,5 | 82,5 | 77,5 | 85 |
| ECS31 | 0168 839.01 | 170 | 82,5 | 87,5 | 97,5 | 92,5 | 100 |
| ECS351 | 0168 842.04 | 170 | 82,5 | 87,5 | 97,5 | 92,5 | 100 |

Protective cover for TYPE I and TYPE II

Marking method 6



The spacing of the terminal blocks is not changed when partitions are used. All dimensions in mm.

| Type | Part number | Spac. | A | B | C | D | E | F |
|-------|-------------|-------|-----|------|------|-------|-------|-----|
| CPU26 | 0114 882.07 | 26 | 170 | 82,5 | 87,5 | 72,5 | 67,5 | 75 |
| CPU31 | 0114 996.01 | 31 | 170 | 82,5 | 87,5 | 85,5 | 80,5 | 88 |
| CPU35 | 0116 514.07 | 35 | 230 | 12,5 | 17,5 | 92,5 | 87,5 | 95 |
| CPU42 | 0116 515.00 | 42 | 230 | 12,5 | 17,5 | 110,5 | 105,5 | 113 |
| CPU52 | 0116 599.15 | 52 | 230 | 12,5 | 17,5 | 105,5 | 100,5 | 108 |